

we
are
arco

we
make
tables

arco

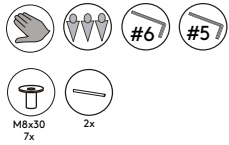
product
Slim Connected

designer
Bertjan Pot

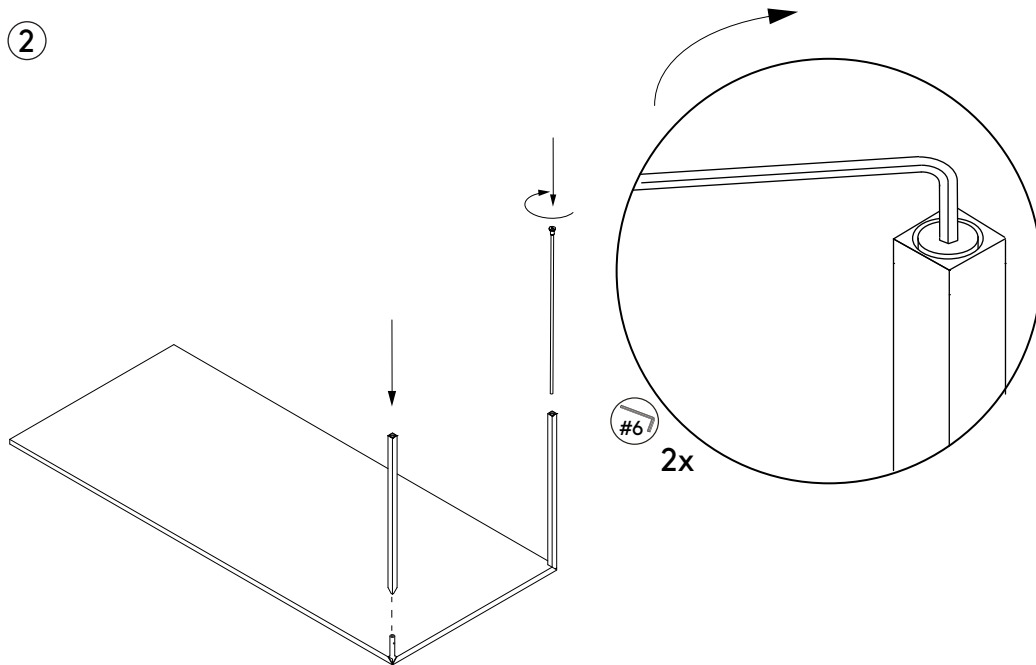
Year
2019

Assembly
instructions

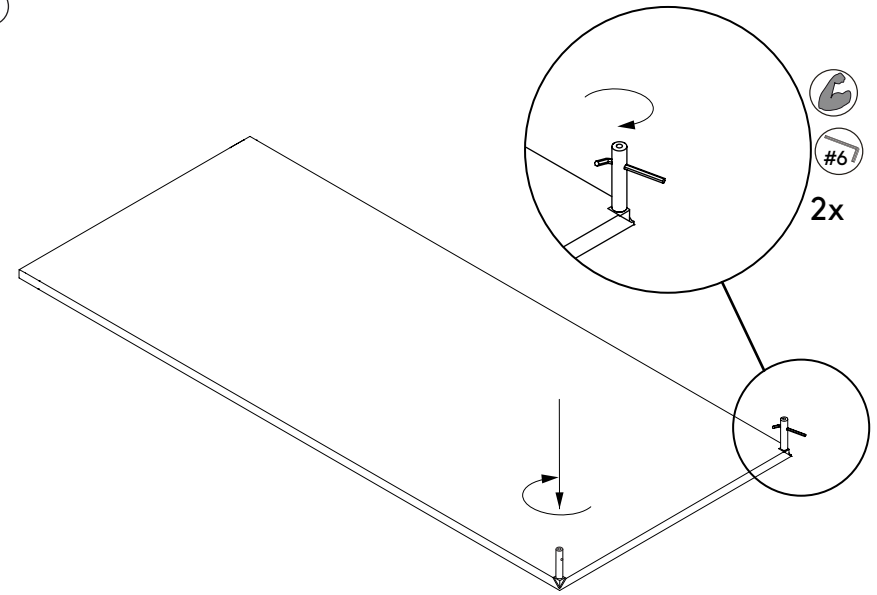
Please follow step 1 - 13.



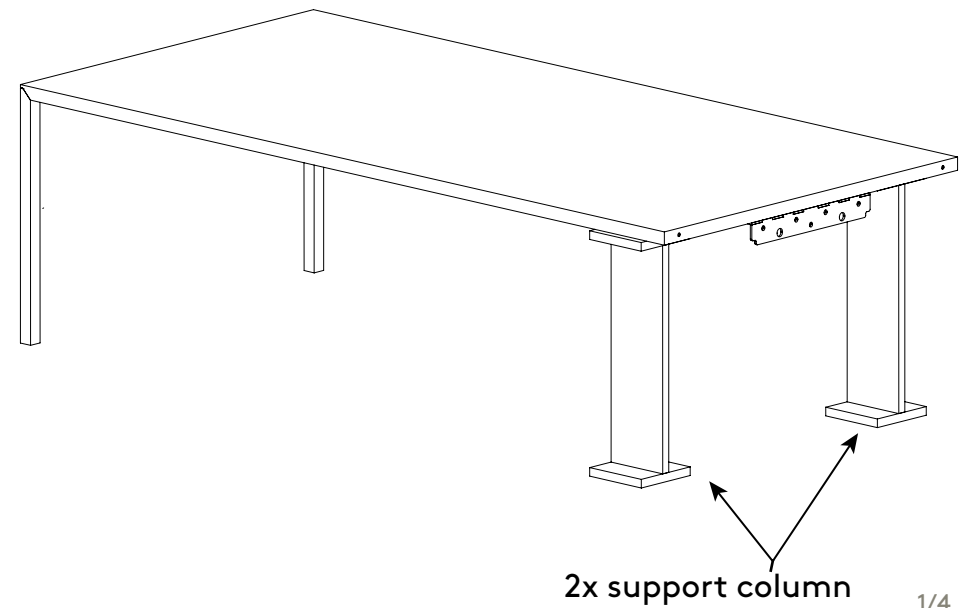
②



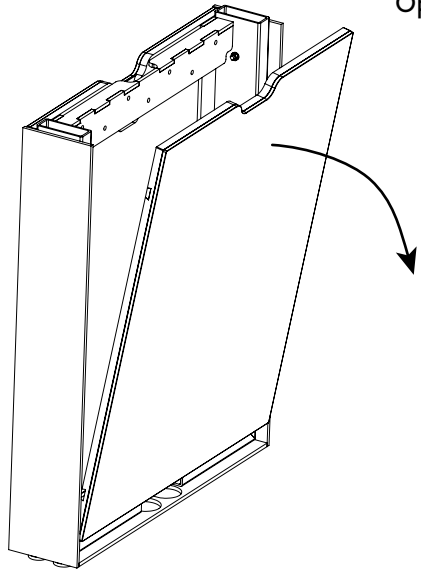
①



③



4

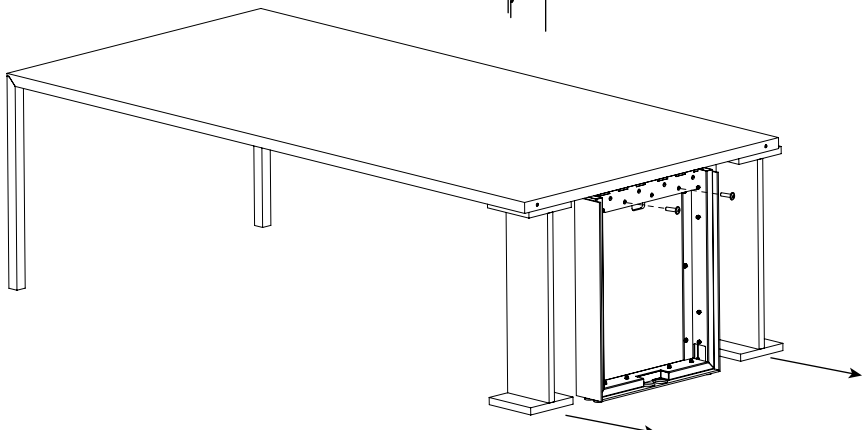
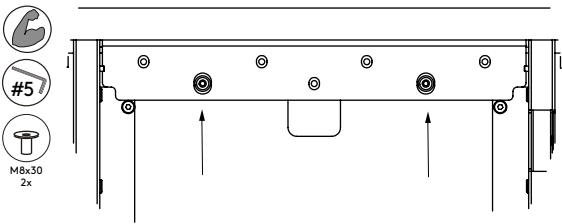


Open column carefully



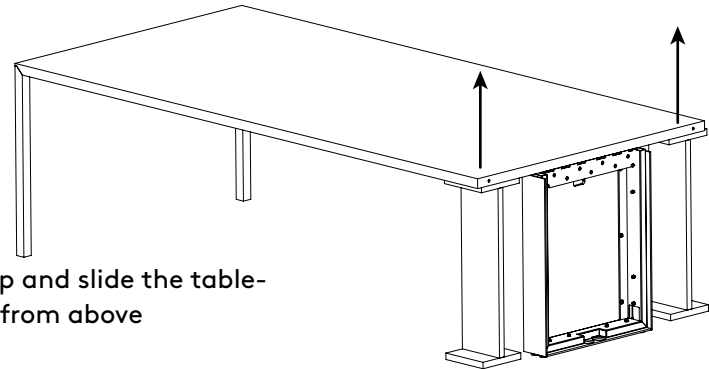
NOTE: only one side of the column can be opened

6



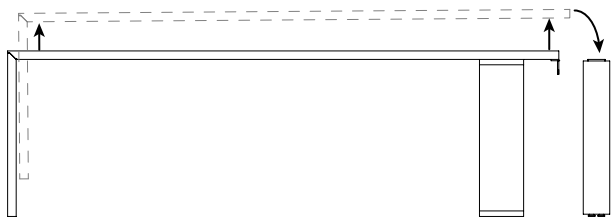
First, secure the two bolts indicated in the drawings above
Then, slide support columns to support other table half

5



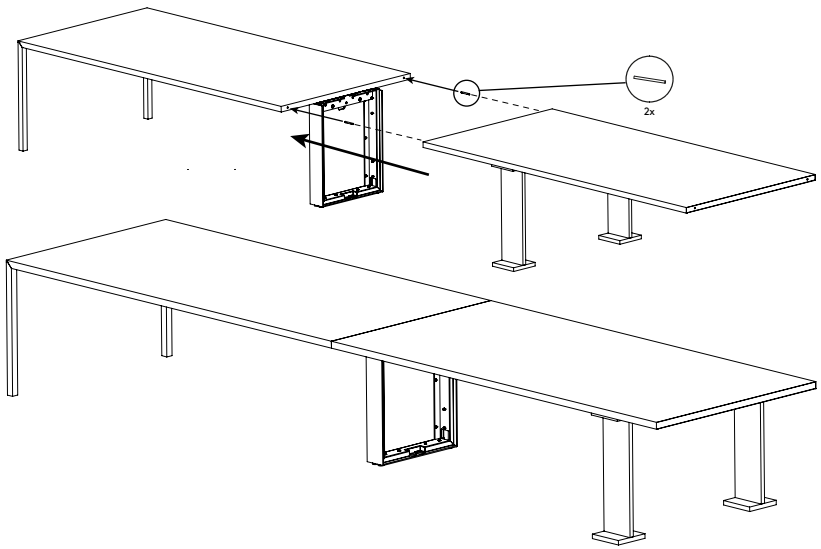
Lift up the tabletop and slide the table-top in the column from above

NOTE: Do not tilt table! Lift with two persons, use third person to align



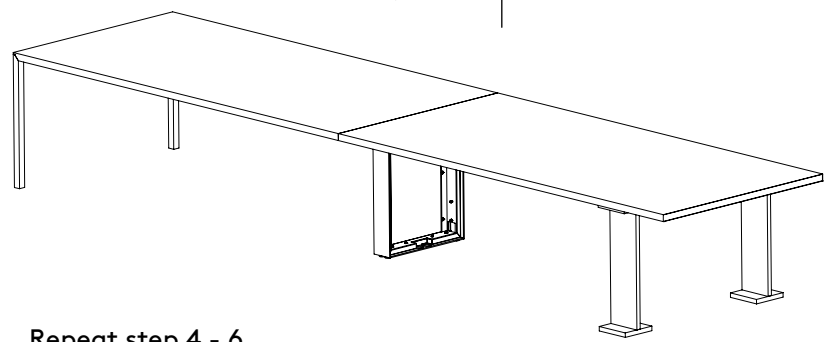
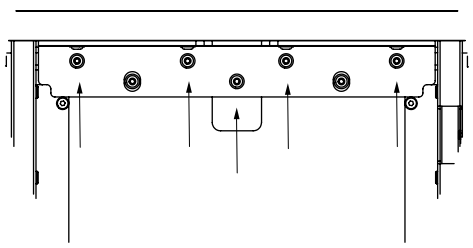
7

With more than two table-tops, continue at this step.
If you have a table of only two table-tops, skip to step 9



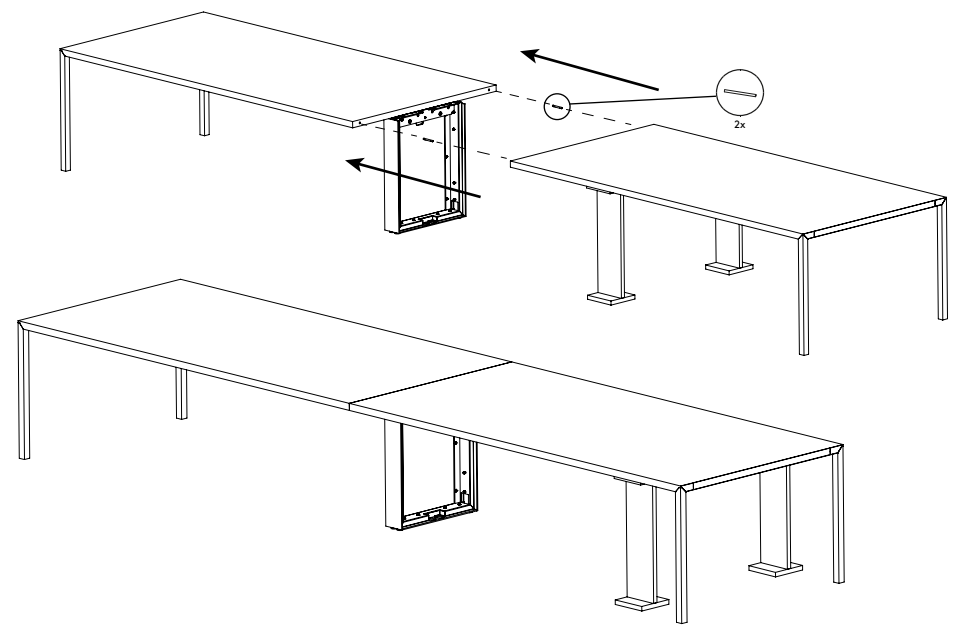
8

Secure the other 5 bolts

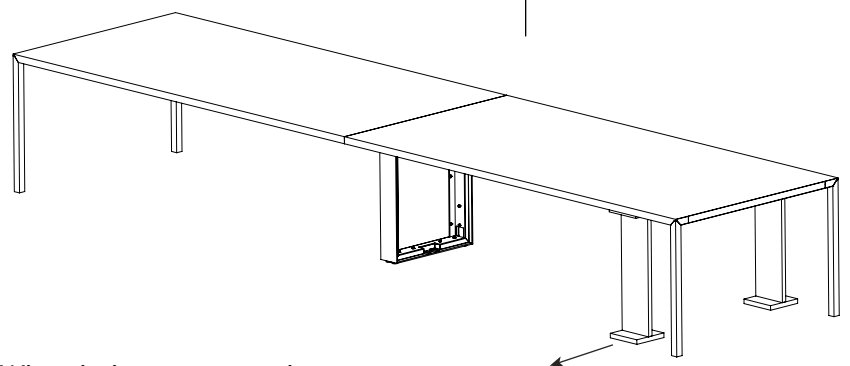
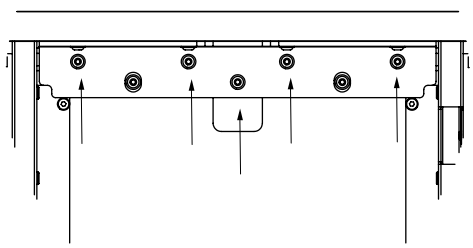


Repeat step 4 - 6

9

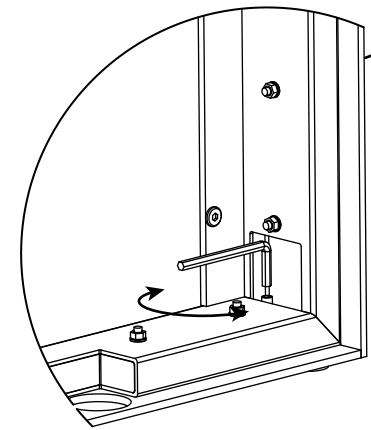
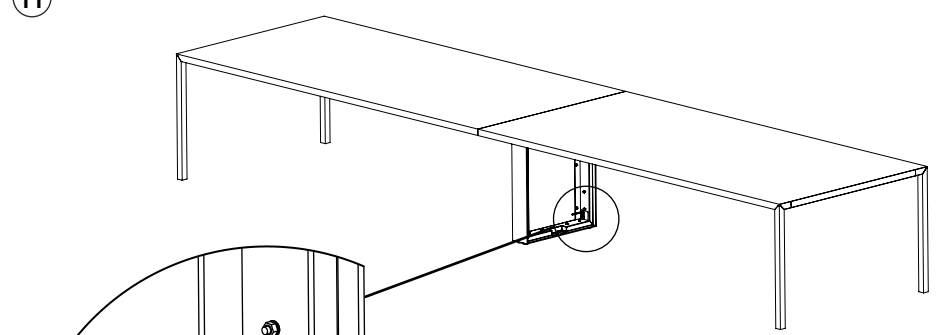


10



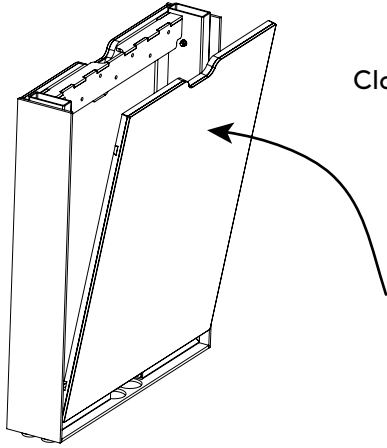
When bolts are secured, remove supports by sliding them away

11



#5
If needed, the table can be adjusted inside the column. Use the hex key to level the outer 4 legs

12



Close all columns carefully

13

