

NEMO

Tubes 3 pendant

Charles Kalpakian

Family of pendant, wall and ceiling lamps, with elements in extruded aluminium. Opal polycarbonate diffusers, for a warm and ambient lighting. Adjustable elements in the wall versions. Available also with dimmer push on the body of the lamp for the Wall 2 version. Ceiling version with a 340° rotation for the ceiling fixed element while the other element is adjustable by 90°.



NEMO

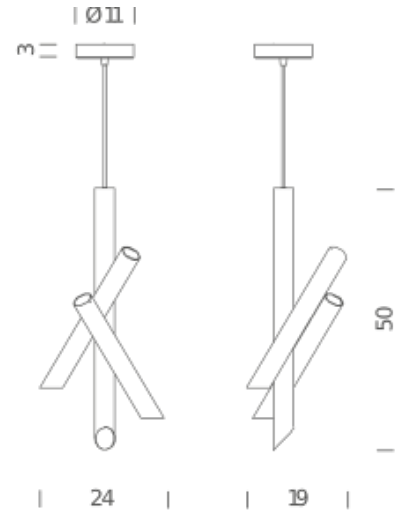
Tubes 3 pendant

Charles Kalpakian

PENDANT

Lamping

Source	LED
Total power	14,5W
Emission	down diffused
Switching	dimmable TRIAC
Tension	230V
Color temperature	2700K
Luminous flux	1500lm
Typ cri	80
Energy class	A+
Materials	aluminium + PMMA
Notes	cable lenght 3m, also available in 120V



Codes

TTB LWC 51
TTB LWW 51
TTB LWL 51

Structure



Diffuseur

Package

LxPxH (body)	3
LxPxH (base)	60x35x25
Weight (base)	5