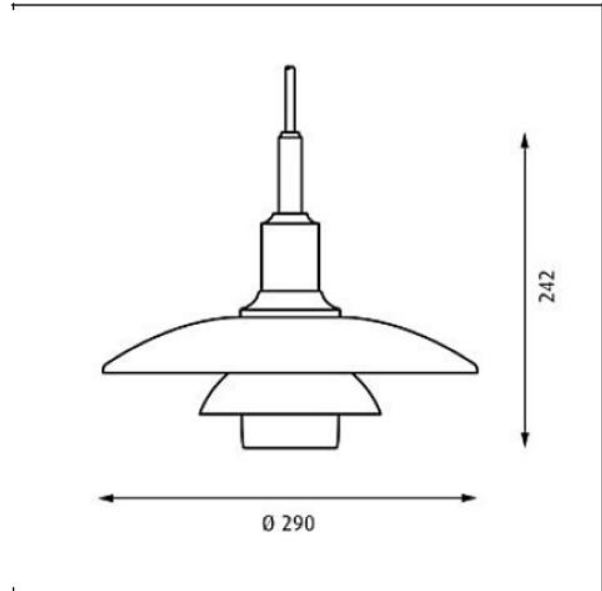


## PH 3/2 Pendant



**Design** Poul Henningsen

**Concept** The fixture is designed based on the principle of a reflective three-shade system, which directs the majority of the light downwards. The shades are made of mouth-blown opal three-layer glass, which is glossy on top and sandblasted matt on the underside, giving a soft and uniform light distribution.

**Finish** Black chrome plated or high lustre chrome plated. White opal glass.

**Material** Shades: Mouth-blown white opal glass. Suspension: Black chrome plated or high lustre chrome plated, brass.

**Mounting** Suspension type: Cable 3x0,75mm<sup>2</sup>. Canopy: Yes. Cable length: 3m.

**Weight** Max. 1.5kg.

**Class** Ingress protection IP20. Electric shock protection I w. ground.

Product Code	Light source	Finish	Cable type
PH32-P	1x75W E27	BLACK CHROME PLATED HIGH LUSTRE CHROME PLATED	BLK TEX

**Specification notes**

The innovation of light sources is ongoing. Consequently we only inform about the max. wattages. On [www.louis Poulsen.com](http://www.louis Poulsen.com) we update a list of recommendable light sources.