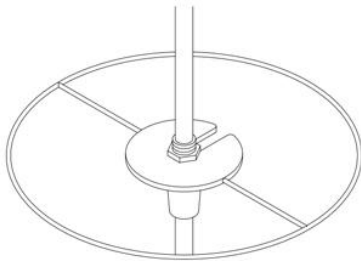
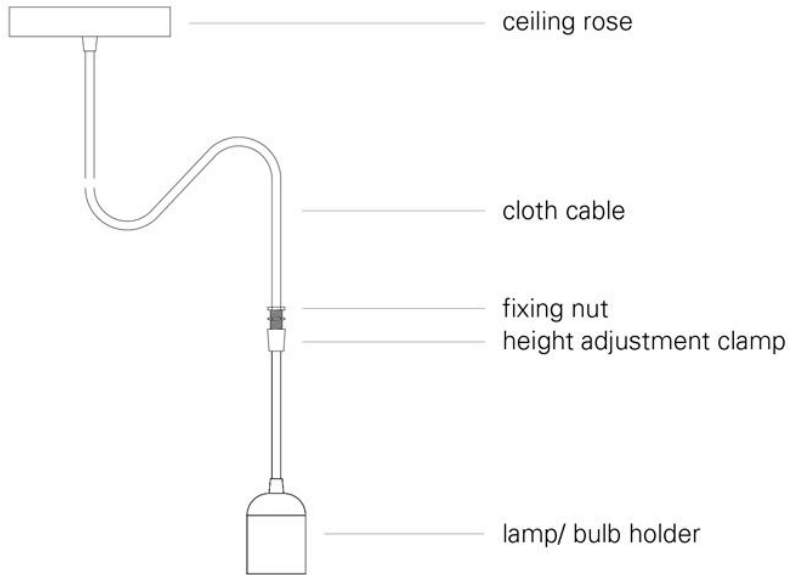
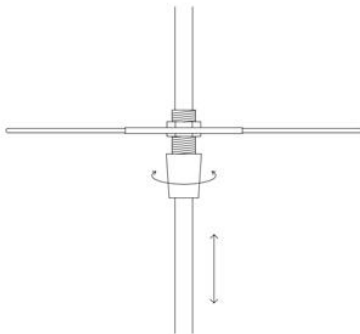


twentytwentyone

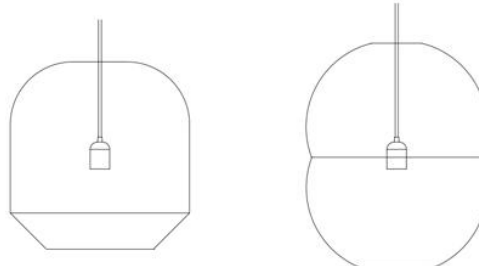
Hotaru lantern designed by Barber Osgerby



1. Slot cable into top plate of Hotaru lantern and hand-tighten fixing nut.



2. Adjust cable length of section within lantern to locate lamp/ bulb holder into central position. Hand-tighten clamp to fix cable.



twentytwentyone